

A SELECTION FROM THE VAST RANGE OF

Clarke[®]

QUALITY PRODUCTS

AIR COMPRESSORS

From DIY to industrial. Plus air tools, spray guns and accessories.

GENERATORS

Prime duty or emergency standby for business, home and leisure.

POWER WASHERS

Hot and cold, electric and engine driven - we have what you need.

WELDERS

Mig, Arc, Tig and Spot. From DIY to auto/industrial.

METALWORKING

Drills, grinders and saws for DIY and professional use.

WOODWORKING

Saws, sanders, lathes, mortisers and dust extraction.

HYDRAULICS

Cranes, body repair kits, transmission jacks for all types of workshop use.

WATER PUMPS

Submersible, electric and engine driven for DIY, agriculture and industry.

POWER TOOLS

Angle grinders, cordless drill sets, saws and sanders.

STARTER/CHARGERS

All sizes for car & commercial use.



Clarke INTERNATIONAL

For spare parts and servicing, please contact your nearest dealer, or Clarke International on

020 - 8988 - 7400

e-mail: Parts@clarkeinternational.com e-mail: Service@clarkeinternational.com

Clarke[®]



KIT 600



KIT 1000

AIRLINE ACCESSORIES

- KIT 600 & KIT 1000 -

GENERAL INSTRUCTIONS

Thank you for purchasing this CLARKE Airline Accessory Kit.

Before using any of the items in the kit, please ensure that no damage has occurred during transit. If damage is apparent, you should contact your Clarke dealer immediately.

Please read these instructions thoroughly and follow all directions carefully. By doing so you will ensure safe operation of the kit and look forward to long and trouble free service from each item.

GUARANTEE

This product is guaranteed against faults in manufacture for 12 months from purchase date. Keep your receipt as proof of purchase.

This guarantee is invalid if the product has been found to have been abused in any way, or not used for the purpose for which it was intended.

Return faulty good to the place of purchase. The reason for return must be clearly stated.

This guarantee does not effect your statutory rights.

SPARE PARTS AND SERVICING

For spare parts and servicing contact your local dealer or Clarke International on one of the following telephone numbers :

PARTS & SERVICE TEL: 020 8988 7400

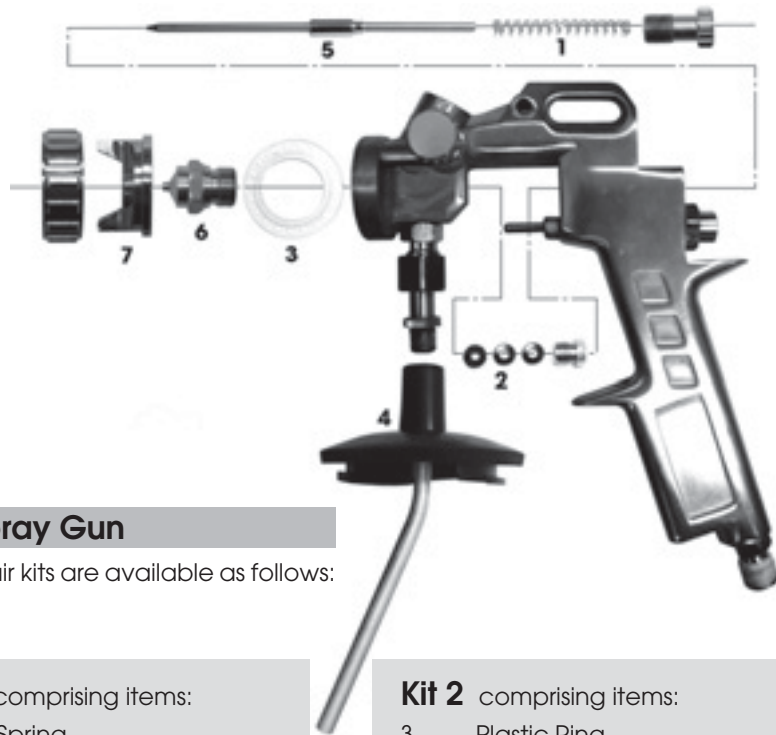
PARTS & SERVICE FAX: 020 8558 3622

or e-mail as follows:

PARTS: Parts@clarkeinternational.com

SERVICE: Service@clarkeinternational.com

SPARE PARTS



1. Spray Gun

Two Repair kits are available as follows:

Kit 1 comprising items:

- 1 Spring
- 2 Packing pieces
- 3 Plastic Ring
- 4 Paint Pot Lid complete

Part No. NSKIT1001

Kit 2 comprising items:

- 3 Plastic Ring
- 5 Needle
- 6 Nozzle
- 7 Air Cap

Part No. NSKIT1002

2. Paraffin Gun

A Nozzle **Part No. NS5078020**

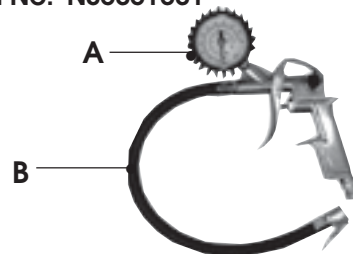


A

3. Tyre Inflator

A Pressure Gauge compl.
Part No. NS5060200

B Air Hose with end adapter
Part No. NS5061301



B

SAFETY PRECAUTIONS

Before using your airline accessory kit it is in your own interest to read and pay attention to the following safety rules :

- **COMPRESSED AIR IS DANGEROUS** - Never direct a jet of air at people or animals.
- **ALWAYS** ensure that the equipment/tool being used has a safe working pressure exceeding the output pressure of the compressor that it is connected to.
- **ALWAYS** ensure that the air supply is turned off at the machine outlet and expel all pressurised air from within the air hose and the equipment attached to it, **BEFORE** disconnecting air hoses or other equipment from your compressor.
- If you are paint spraying :
 - a. **NEVER** spray close to any source of heat or flame.
 - b. **ALWAYS** ensure the spraying area has adequate fresh air ventilation.
- **We strongly recommend** that items contained in this kit be used in conjunction with appropriate eye and face protecting goggles, glasses or spray masks available from most DIY and Hardware Stores.

KIT 600 CONTENTS:

Paraffin Gun
Tyre Inflator
Blow Gun

KIT 1000 CONTENTS:

Paint Spray Gun
Paraffin Gun
Tyre Inflator
Blow Gun
Air Hose

GENERAL GUIDANCE NOTES - Please Read Before Use

1. SPRAY GUN (Kit 1000 only)

This professional type syphon spray gun is suitable for use with most conventional paints. (See the 'Helpful hints on spraying' pamphlet, supplied with Clarke Air Compressors, for guidance on how to use this and similar spray guns).

This gun can be operated by tank mounted air compressors with motor power of 1.5hp and above.

Taking ALL relevant precautions (see your compressor handbook), attach the gun to the air delivery hose.

The Spray Gun is fed with paint by a siphon (or suction) effect from the paint cannister. The air flow through the air cap draws paint up the feed tube, into the nozzle assembly, where it is atomised and sprayed forward.

Mix the paint to the correct viscosity for spraying according to the manufacturers instructions, and strain it into the paint cannister through a fine mesh filter. When mixing the paint, make sure that you have enough thinners left to clean the spray gun after use.

Do not fill the paint cannister to more than 3/4 full - i.e. no more than 600cc. Make sure that the top edge of the cannister and the sealing gasket are clean and free from damage before mounting the cannister on the gun.

Set the spray pattern and fluid flow using the adjustment screws on the spray gun.

The spray pattern is variable between round and fan by adjusting the air flow through the air cap. Turn the spray pattern adjusting screw 'B', Fig.1, anticlockwise to increase flow and give a fan shaped spray pattern. Turning clockwise to close off the air flow will give a circular pattern.

Set the fluid flow according to the paint in use and the spray pattern by using the fluid flow adjustment screw ('A', Fig.1), anticlockwise to increase flow, clockwise to reduce flow. As the width of the spray is increased, fluid flow will also need to be increased.

The air pressure needed will vary according to the paint in use, with thicker paints needing greater pressure. For most paints, a pressure of between 0.75 and 2.5 bar (approximately 20-50 psi) is adequate.

To reduce overspray and to obtain maximum transfer efficiency, always use the lowest possible air inlet pressure that produces an acceptable spray pattern.

NOTE: A good spray pattern is achieved when there is an even amount of material in a fine spray throughout the pattern.

A poor spray will concentrate the paint in the centre of the spray and produce a blotchy finish

To determine the correct spray pattern and volume for your particular application, proceed as follows:

1. Turn the Spray Pattern Adjuster fully anticlockwise .
2. Pull the trigger to test the pattern, aiming at a piece of card/newspaper etc.
3. Continue pressing the trigger whilst turning the Adjuster clockwise until the pattern is correct.

NOTE: If you have carried out the above procedure and the spray pattern is still not satisfactory, then it is likely that the paint requires further thinning. Additionally...ALWAYS check to ensure the breather hole, in the paint container lid, is clear. NEVER allow to become blocked



Fig.1

2. PARAFFIN GUN

This special gun is suitable for spraying a wide range of cleaning agents e.g.

paraffin, gunk etc., for cleaning engines, components, oil spots on driveway etc. Preservatives such as creosote can be sprayed onto fences and sheds.

This gun can also be used for spraying plants, trees, shrubs etc., with insecticide.

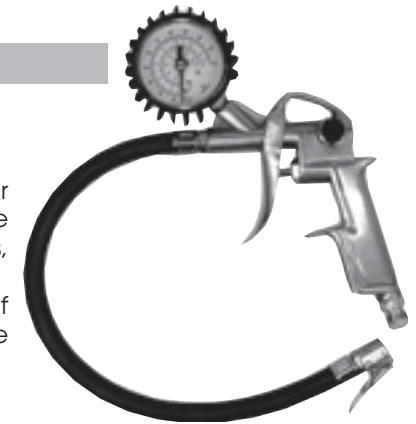
The nozzle is adjustable to give a coarse or fine spray, by adjusting the nozzle arrowed in Fig.2. Undo the locking ring, adjust the nozzle by screwing in or out, then lock in place by screwing up the locking ring once again.



3. TYRE INFLATOR

This handy, lightweight pistol grip inflator complete with air pressure gauge is suitable for inflating tyres on motor vehicles, cycles, trailers etc.

Pull trigger to inflate, or press button on side of pistol to deflate. Always check that tyre valve is clean before inflation.



4. BLOW GUN

This simple to operate trigger action blow gun can be used to blow away dust and wood shavings as well as metal filings and swarf.

Take great care when using this appliance...DO NOT use high air pressures when cleaning dust from electrical or electronic components.



5. AIR HOSE (KIT 1000 ONLY)

The recoil hose included in this kit is fitted with connectors for use with other items in this kit.